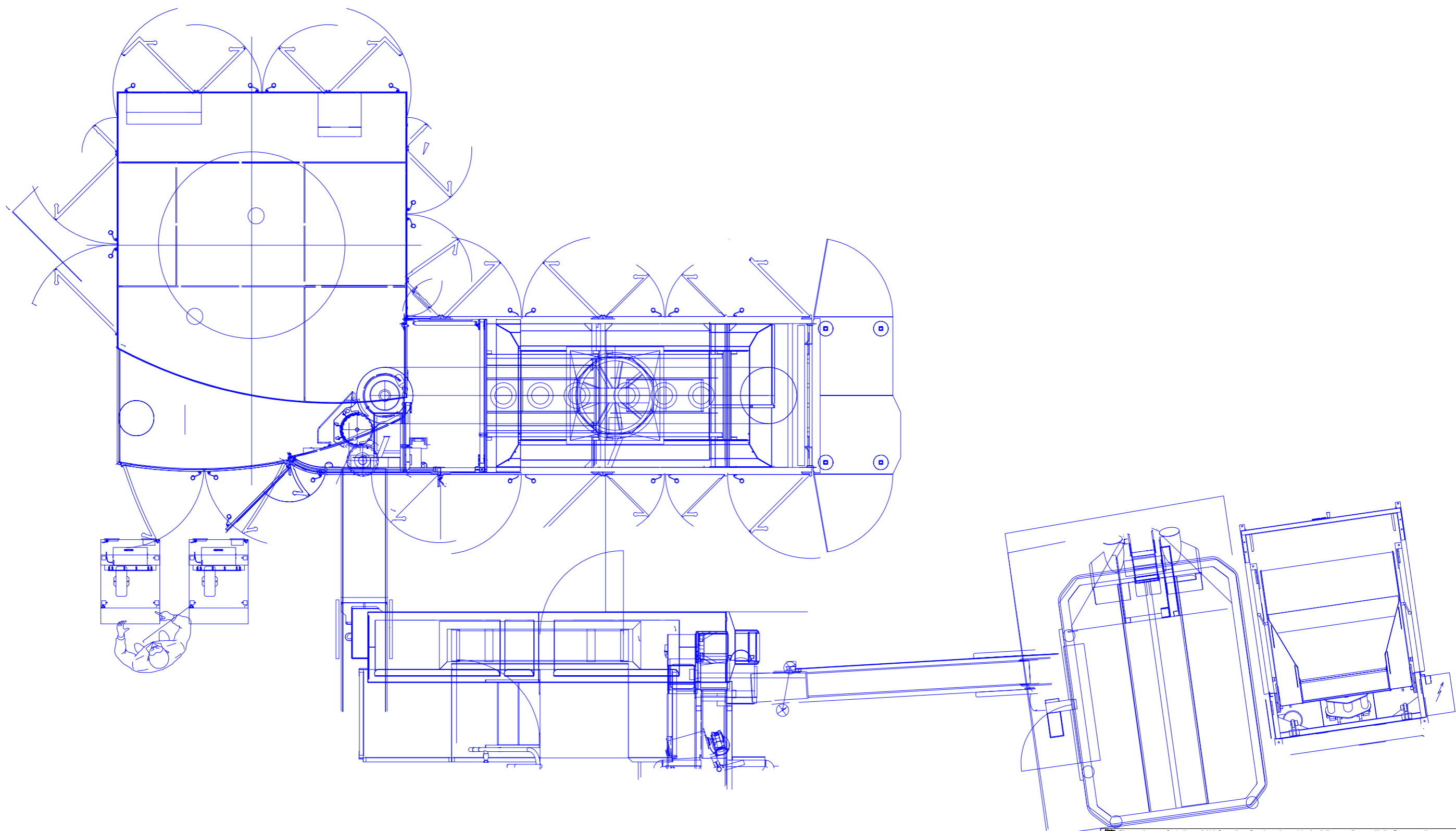



Ricavato da :

8013

6821



Note: Please always refer to the weight information of each equipment to check the compliance with the floor capacity, especially for those installations not at ground level
Ladders and Platforms are not in the Sciel scope unless specified in the quotation

Customer:	
Location:	Business Opportunity: UC Date: 09/11/2023
Scope of supply: FULL LINE / PARTIAL LINE / STAND ALONE / UPGRADE	Drawn by: UC Scale: 1:100
PRELIMINARY LAYOUT	
FOR INFORMATION ONLY	
<small>This drawing is BBM property and contains all the necessary BBM intellectual information. It is intended for the customer's use only. The customer must not use it for any other purpose without BBM's express consent. This drawing shall not be used directly or indirectly by the customer for the operation of any equipment or for any other purpose. BBM is not responsible for any damage or loss of data or information caused by the use of this drawing or for any other reason. BBM is not responsible for any damage or loss of data or information caused by the use of this drawing or for any other reason. BBM is not responsible for any damage or loss of data or information caused by the use of this drawing or for any other reason.</small>	
BBM	Formal A3