

Ricavato da :

H G F E D C B A

4

4

3262

3

3

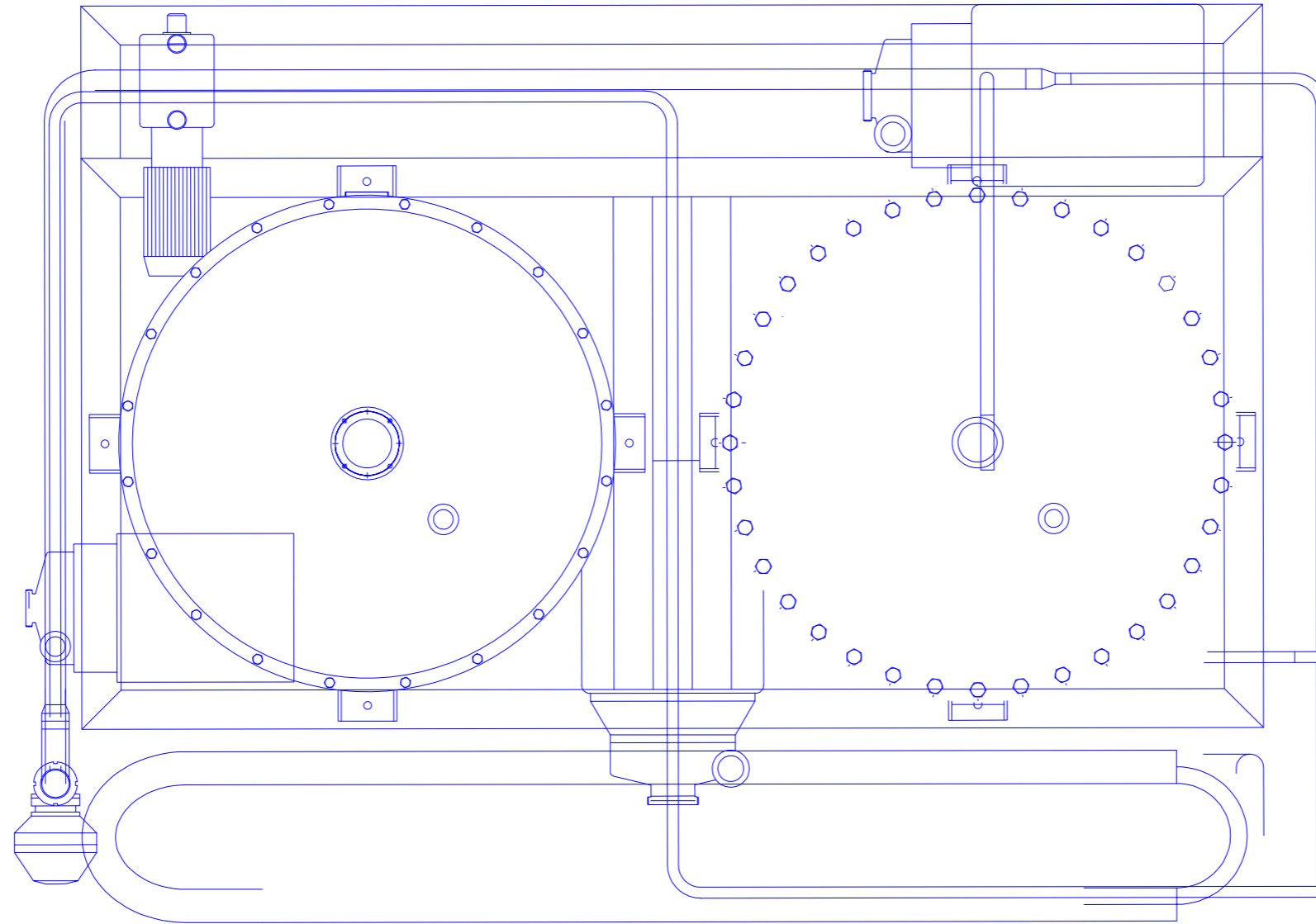
2


2

1

1

2323



<p><i>Note: Please always refer to the weight information of each equipment to check the compliance with the floor capacity, especially for those installations not at ground level</i> <i>Ladders and Platforms are not in the Sciel scope unless specified in the quotation</i></p>		
Customer:		
Location:	Business Opportunity:	Date: 09/11/2023
Scope of supply: FULL LINE / PARTIAL LINE / STAND ALONE / UPGRADE	Drawn by: UC	Scale: 1:100
PRELIMINARY LAYOUT		FOR INFORMATION ONLY
<p><small>This drawing is BBM property and contains all the intellectual property information of BBM. It is intended for the customer's use only. It is not to be used for any other purpose without BBM's express consent. This drawing shall not be used directly or indirectly by the customer or any third party for the specific purpose for which this drawing is intended by BBM. All intellectual property rights, including copyright, are reserved by BBM. The reproduction or any other use of this drawing without BBM's prior written consent is strictly prohibited. BBM shall not be held responsible for any loss or damage of any kind resulting from the use of this drawing or any other information contained in this drawing or with respect to third party intellectual property rights.</small></p>		<p>Drawing No.: CAD No: BBM</p>
		Formal A3

H G

B A