

Ricavato da :

H G F E D C B A

4

4

3

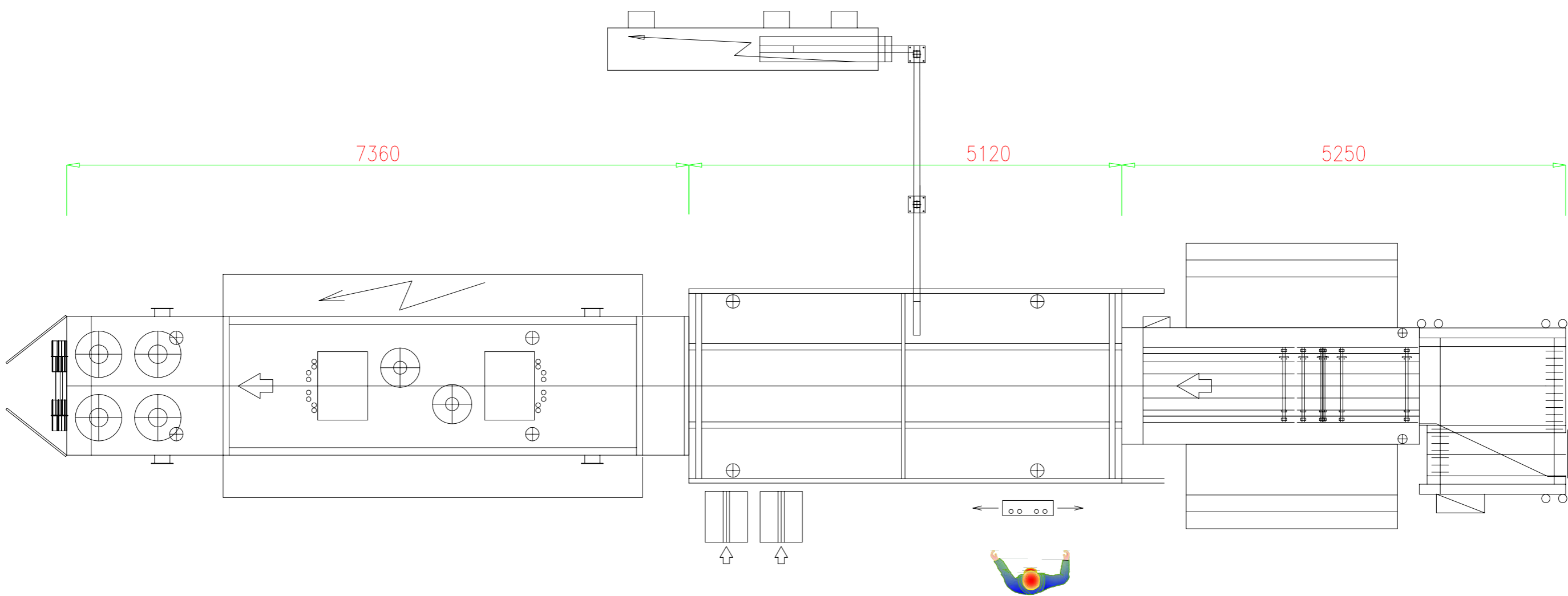
3


2

2

1

1



<p><i>Note: Please always refer to the weight information of each equipment to check the compliance with the floor capacity, especially for those installations not at ground level</i> <i>Ladders and Platforms are not in the Sidel scope unless specified in the quotation</i></p>		
Customer:		
Location:	Business Opportunity:	Date: 09/11/2023
Scope of supply: FULL LINE / PARTIAL LINE / STAND ALONE / UPGRADE	Drawn by: UC	Scale: 1:100
PRELIMINARY LAYOUT		FOR INFORMATION ONLY
<p><small>This drawing is BBM property and contains all the intellectual property information of BBM. It is intended for the customer's use only. BBM is not responsible for any errors or omissions. BBM's agreement is limited to the specific project for which this drawing is prepared. BBM is not responsible for any modifications or changes to the drawing without BBM's prior written approval. BBM is not responsible for any damage or loss of data or information resulting from the use of this drawing. BBM is not responsible for any third party claims or actions of any kind.</small></p>		<p>Formal: A3 Drawing No.: CAD No.: BBM</p>

H G F E D C B A